




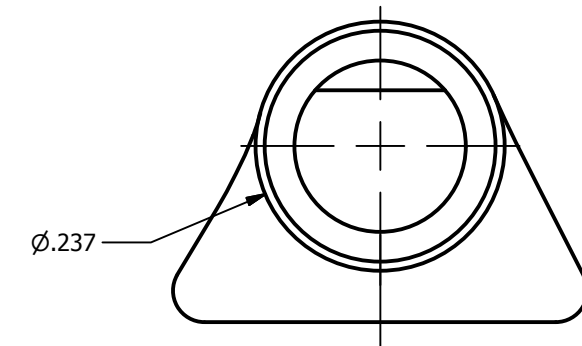
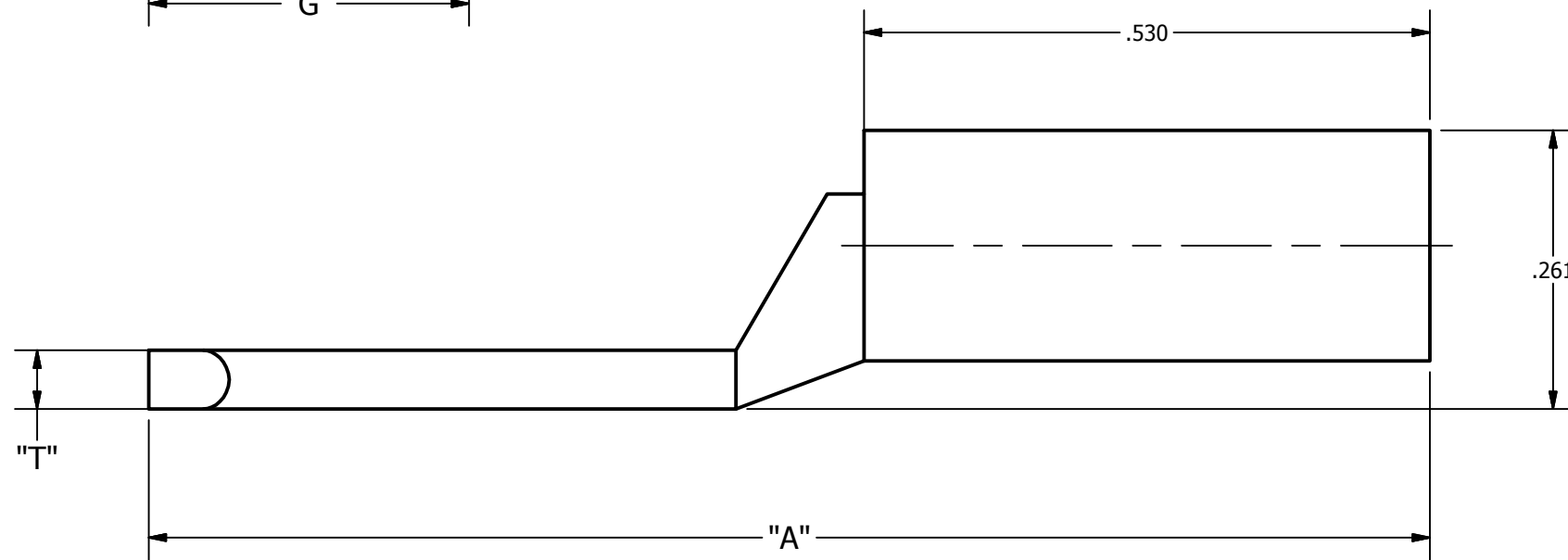
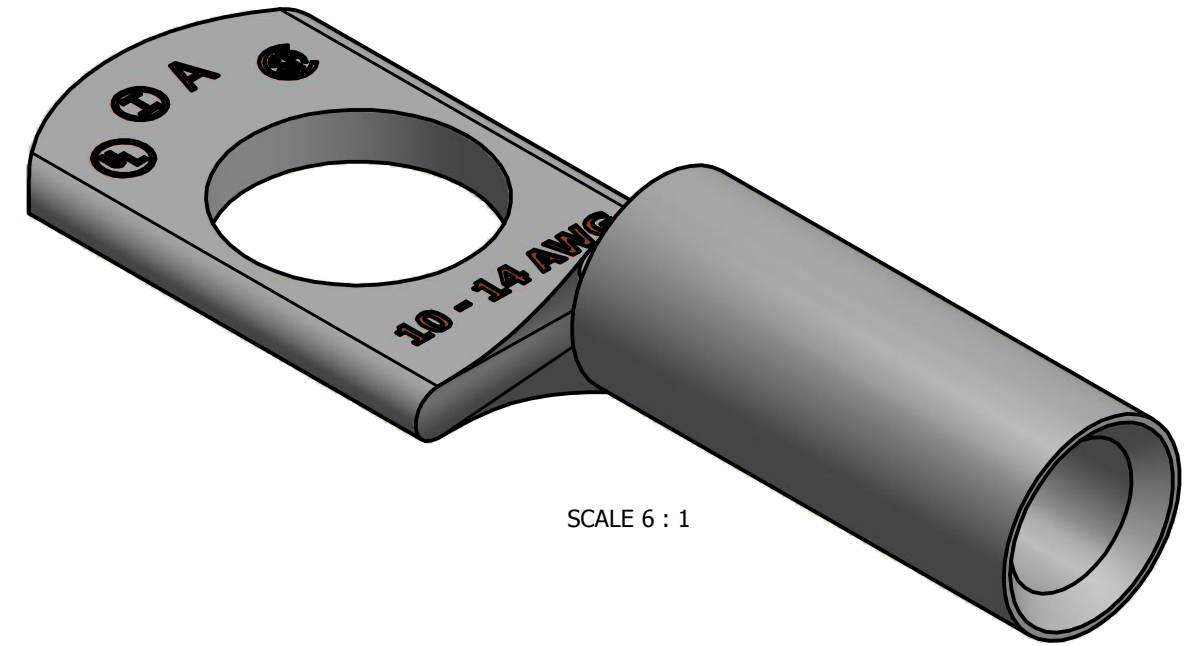
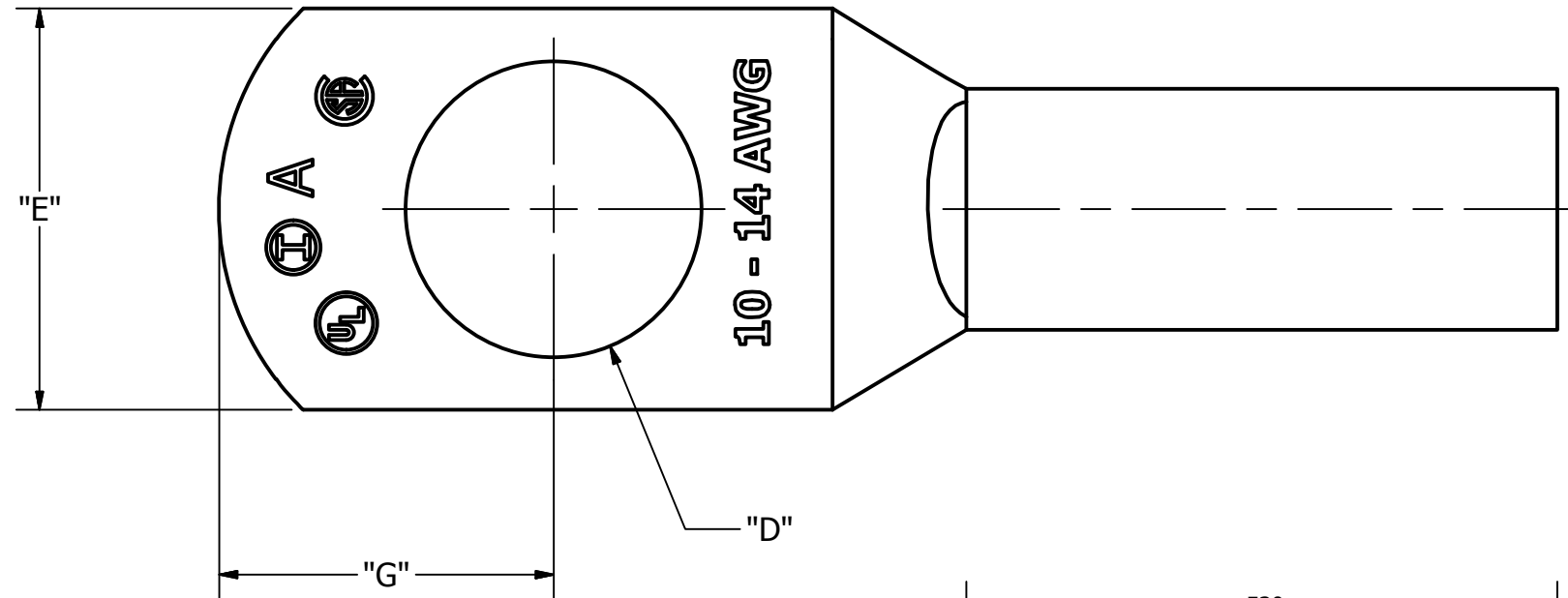
SCREW: NONE
 CAT. NO.: SEE CHART
 INFORMATION SHEET: FORM 209

MATERIAL: COPPER
 PLATING: EL-TIN
 MARKING:   A, , 10-14 AWG

REV: C
 DRAWN BY: DR
 DATE: 12/3/2014
 SCALE: 6 : 1
 SIZE: B



DWG NO: Y0013-S
 SHEET: 1 OF 1



CAT NO.	"A"	"D"	"E"	"G"	"T"
CLWS-10-14	1.230	.281	0.420	0.300	0.060